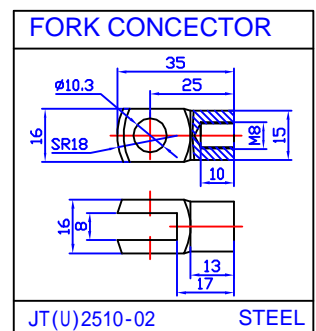
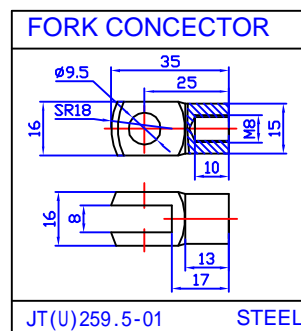
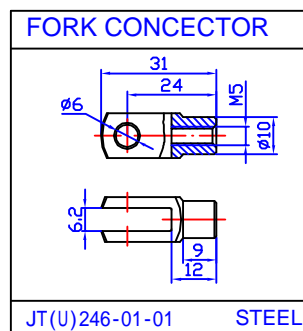
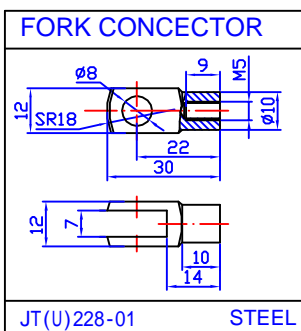
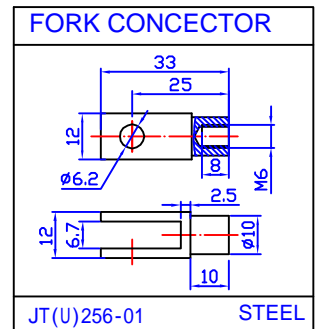
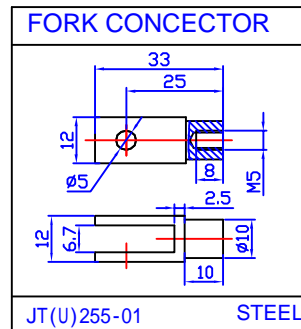
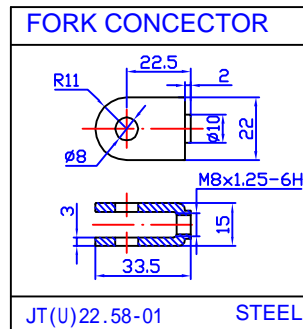
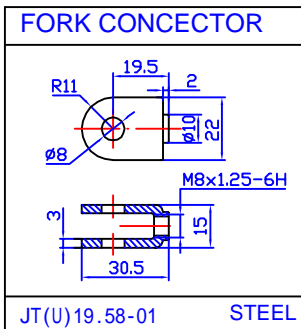
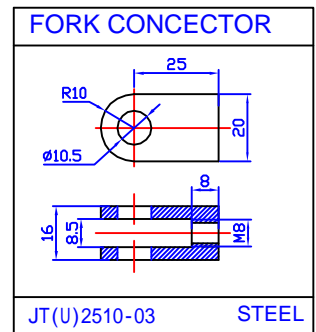
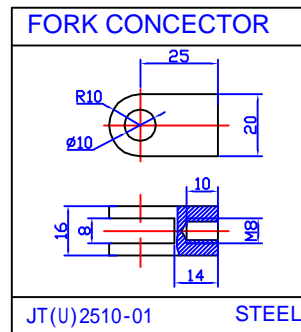
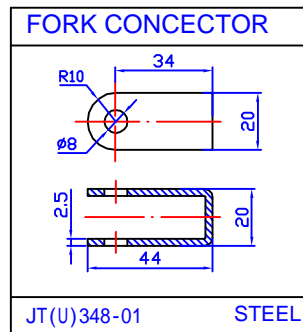
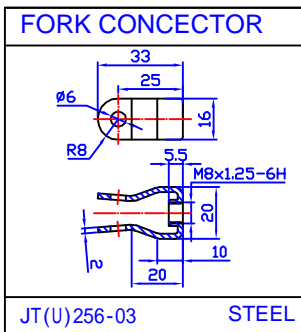
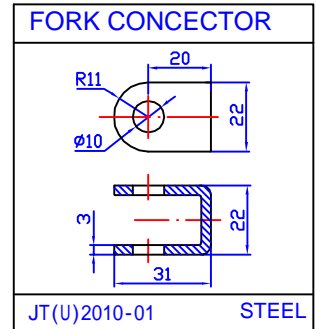
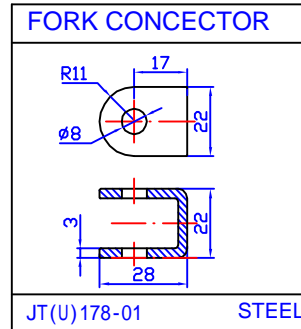
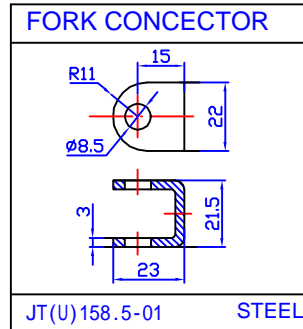
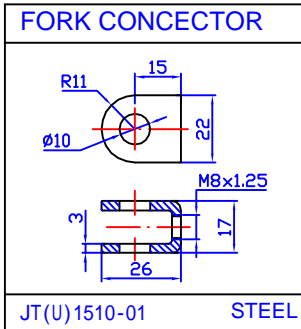


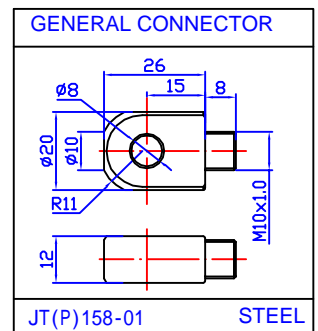
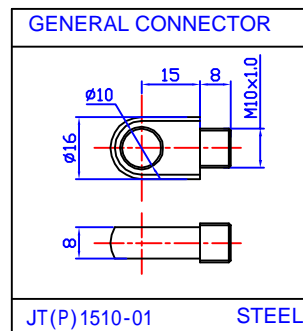
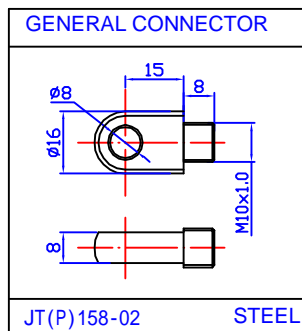
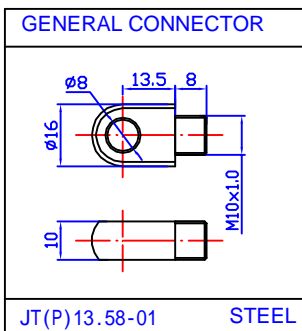
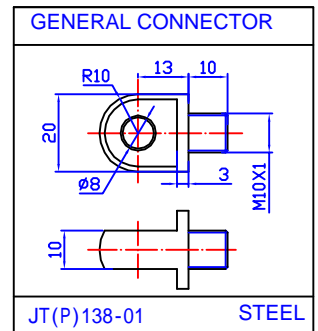
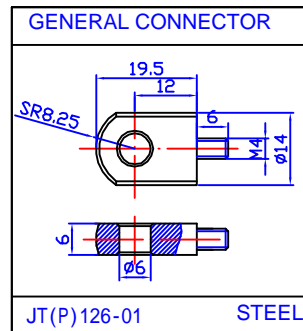
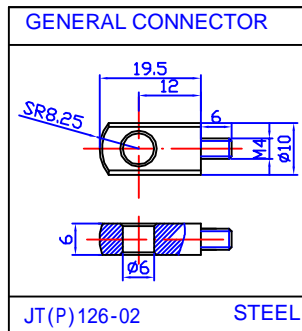
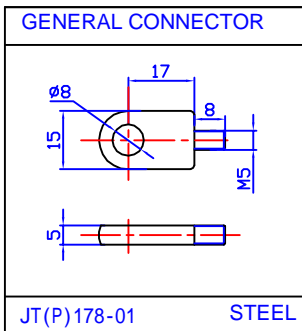
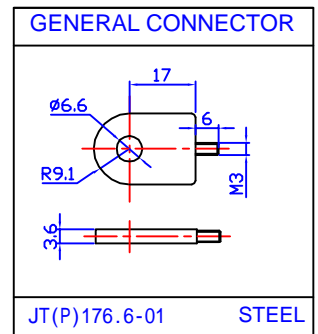
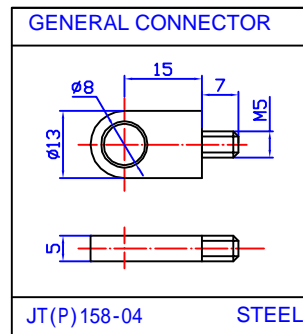
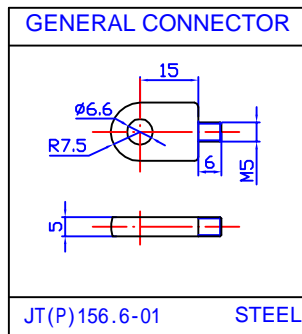
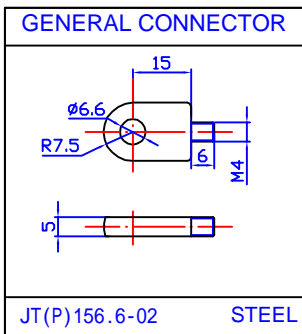
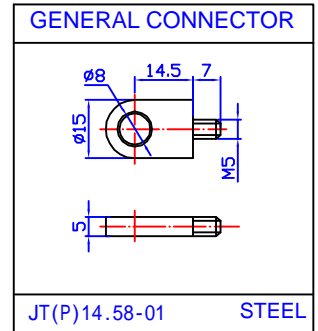
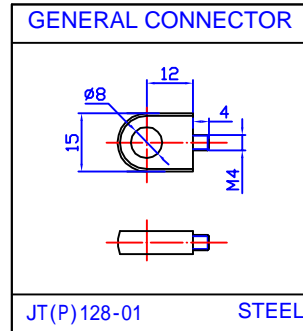
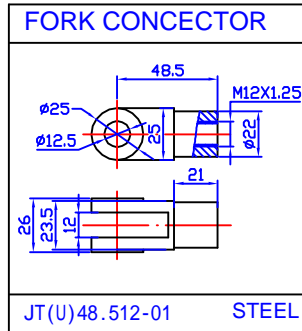
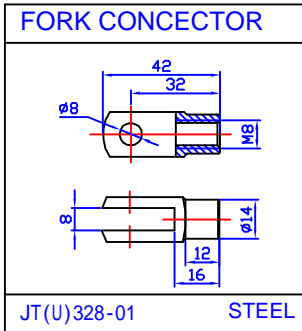


# The end fitting list



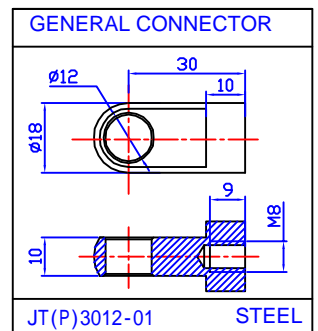
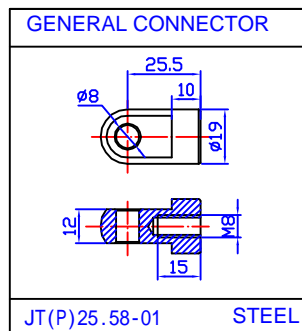
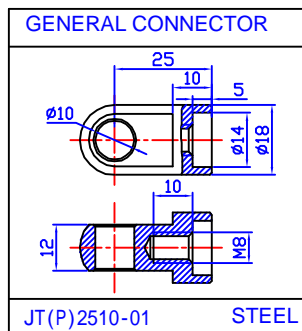
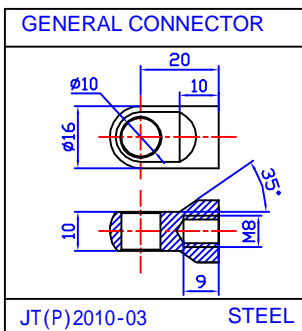
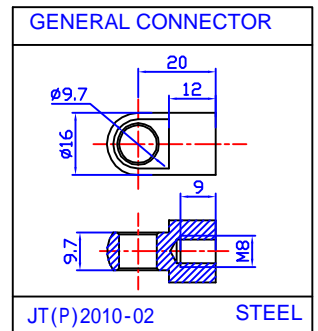
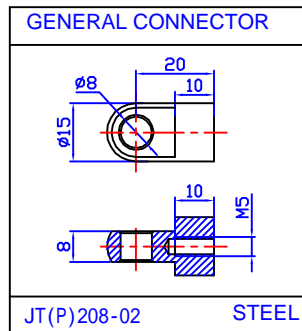
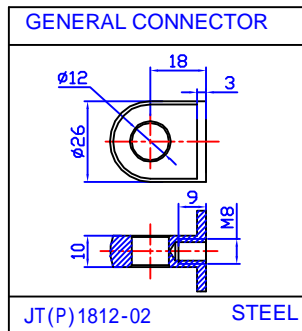
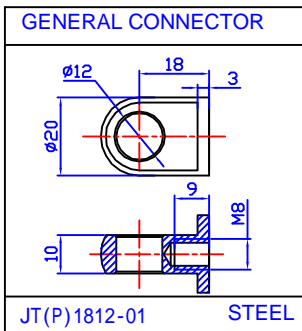
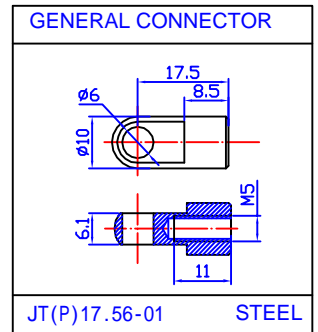
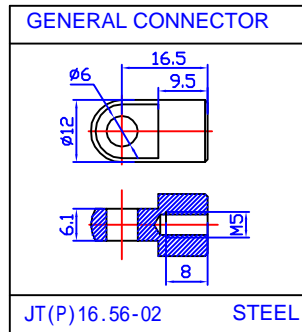
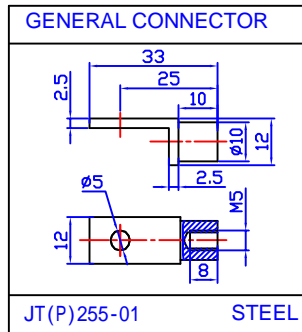
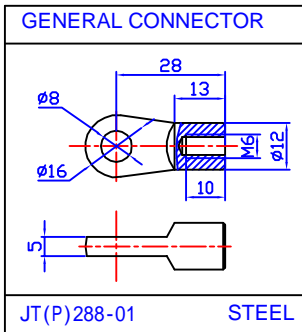
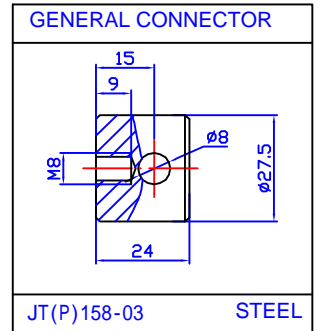
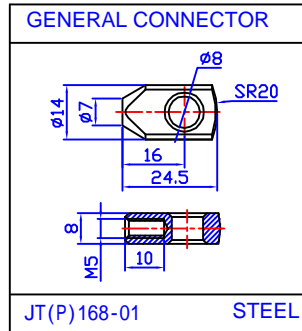
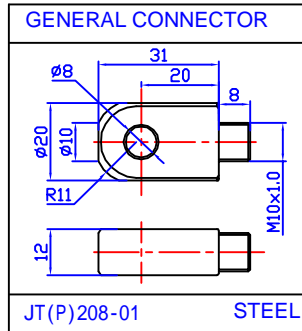
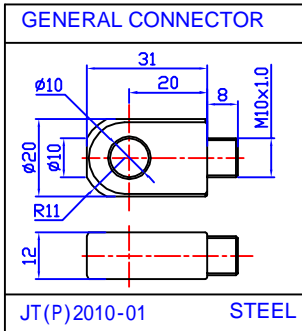


# The end fitting list



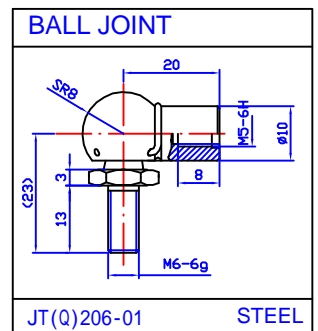
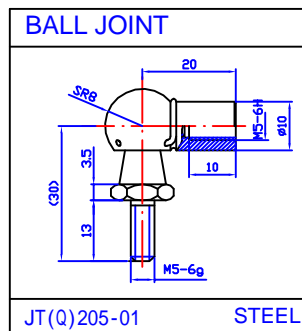
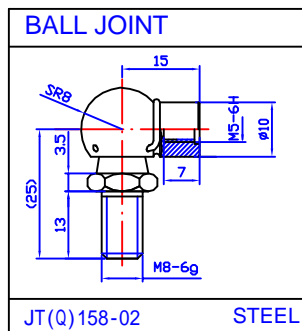
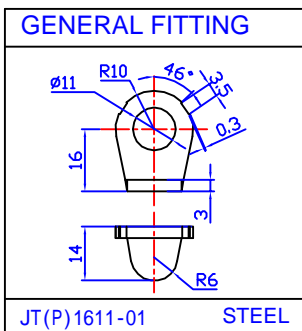
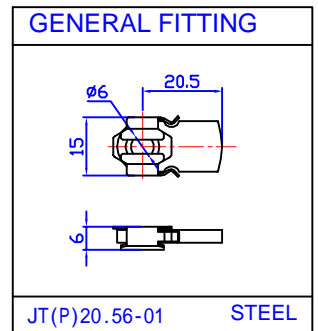
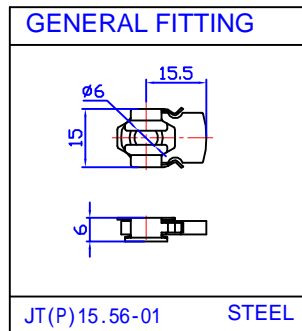
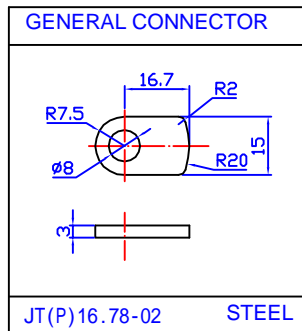
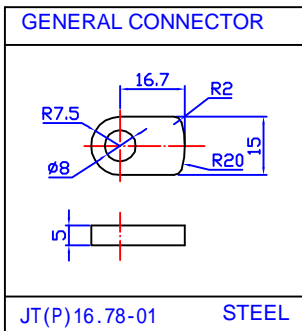
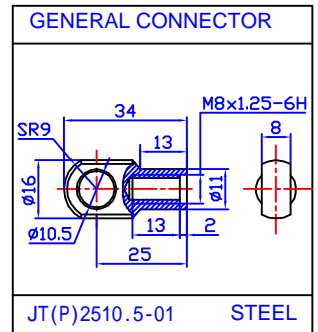
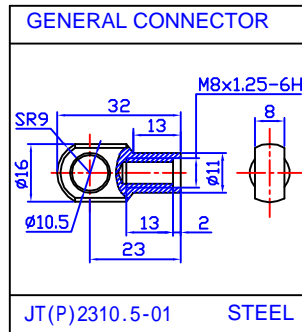
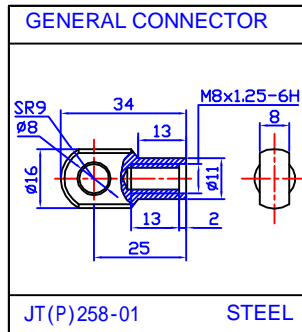
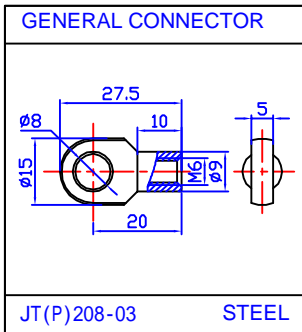
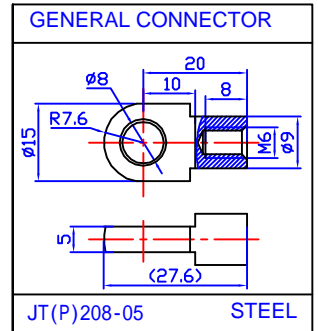
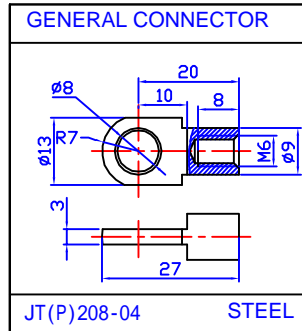
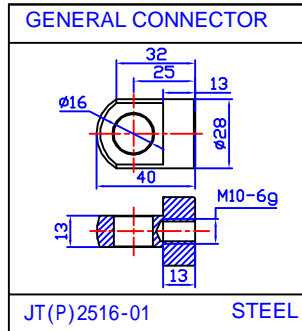
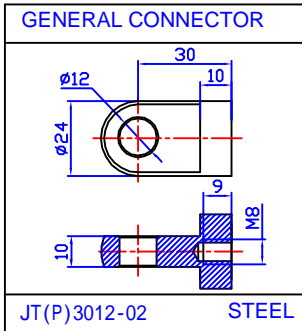


# The end fitting list





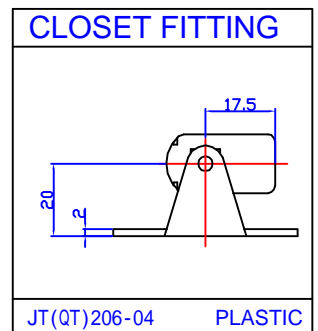
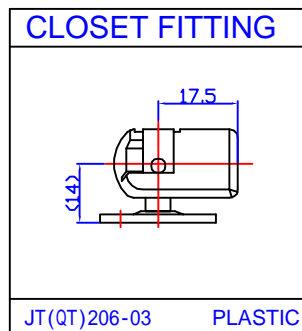
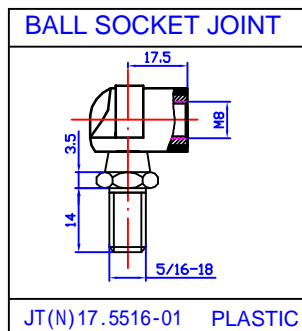
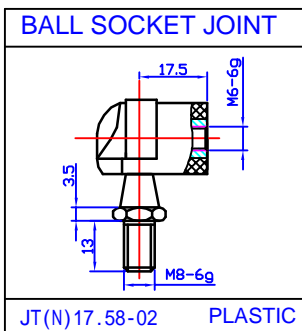
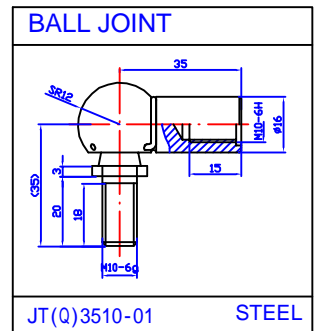
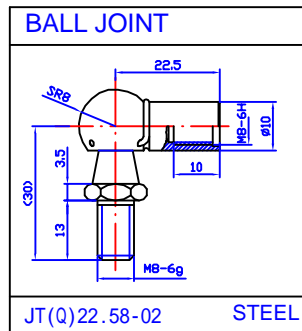
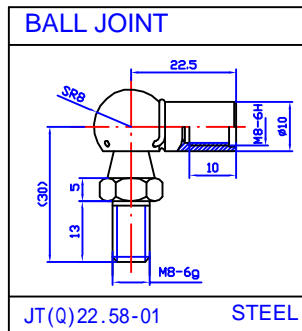
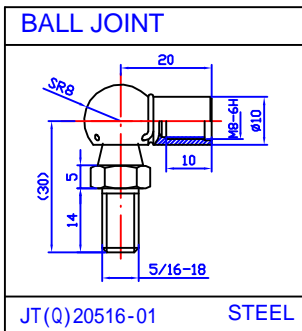
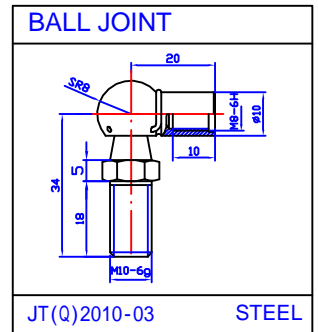
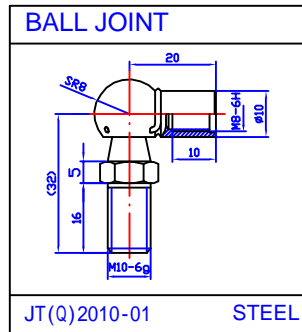
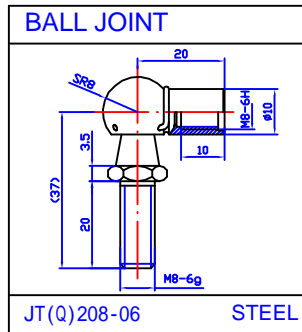
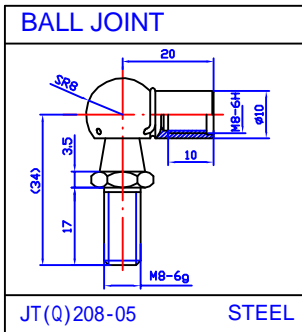
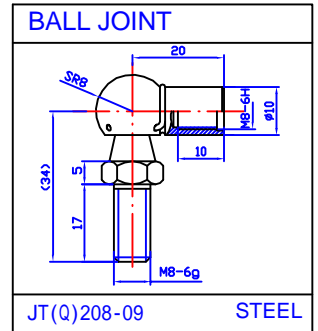
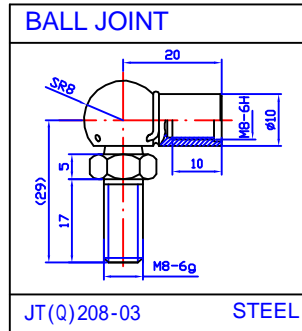
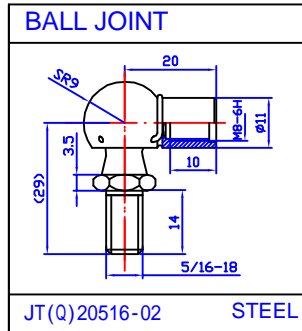
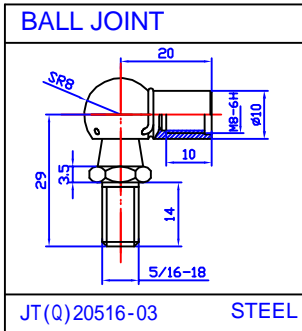
# The end fitting list





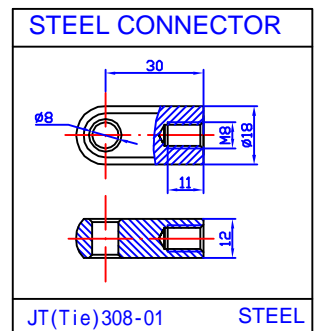
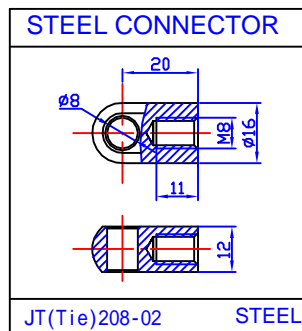
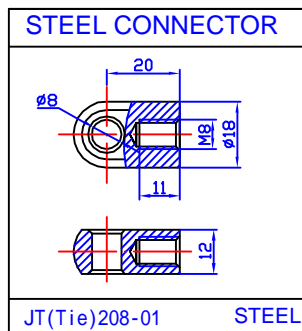
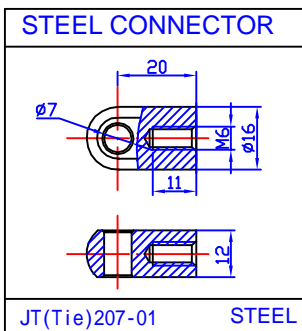
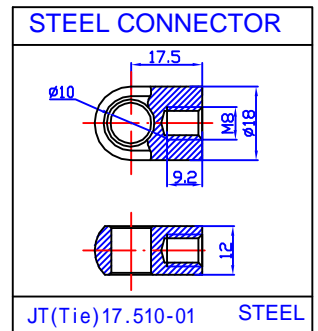
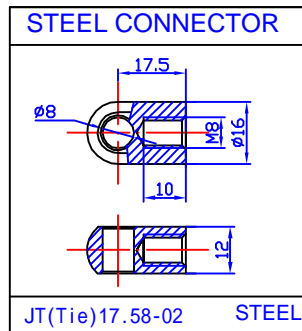
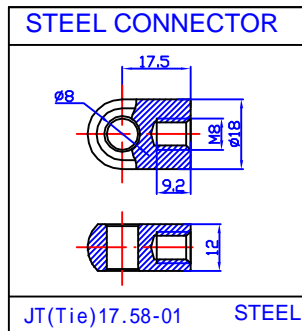
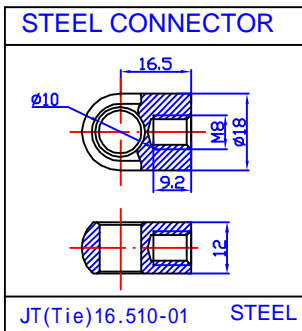
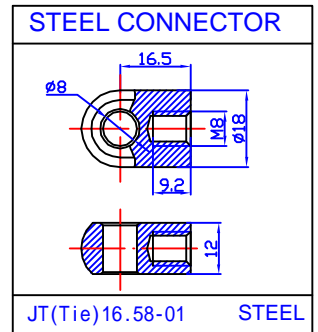
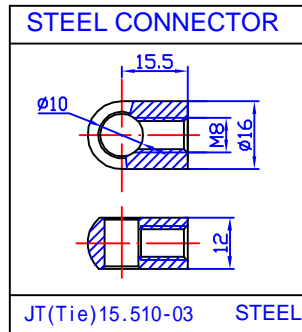
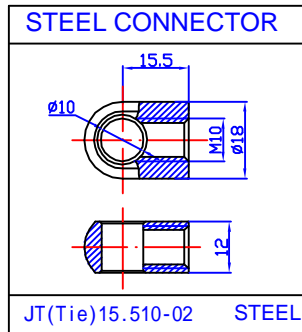
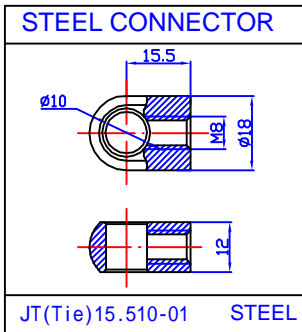
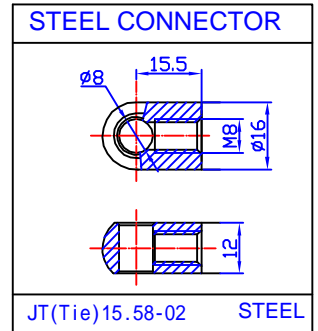
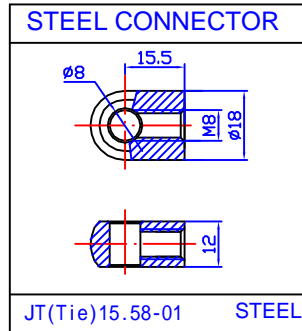
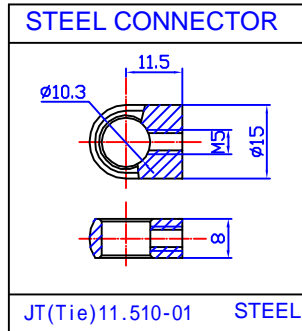
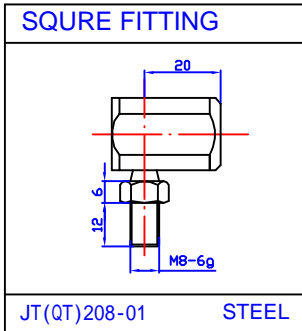


# The end fitting list





# The end fitting list



## The end fitting list

